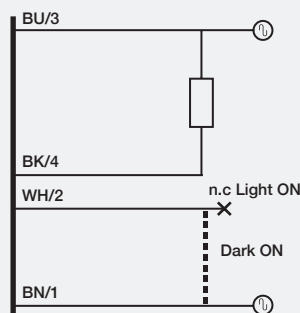




	MQ0/00-0E	MQ1/00-0E
nominal sensing distance	50 mm	100 mm
tolerance	+ 15 / 0 % di Sn	
emission	infrared (880 nm)	
hysteresis	≤ 1.5 % (white paper)	
repeatability	5 %	
supply voltage	20...253 Vac / 50 - 60 Hz	
no-load supply current	40 mA _{RMS}	
load current	5...300 mA _{RMS}	
inrush current	64 (Ton=10 ms)	
leakage current	≤ 1.5 mA _{RMS} (@ 250 Vca)	
output voltage drop	3 V max @ IL 300 mA	
output type	TRIAC	
switching frequency	25 Hz	
power on delay	200 ms	
power supply protections	impulsive over voltage	
operating temperature range	- 25°C...+ 70°C (without freeze)	
storage temperature	- 55°C...+80°C	
external light interference	3,000 lux (incandescence lamp), 10,000 lux (sunlight)	
temperature drift	≤ 10 % Sr	
EMC	according to EN50082-2; EN60947-5-2; EN50081-1	
LED indicator	yellow (light output status)	
protection degree	IP67 (EN60529)	
plug exit	M12 4 poli; Male	
housing material	PBT (barrel), PC (plug)	
optic material	PMMA	
tightening torque	1 Nm	
weight (approximate)	30 gr	

electrical diagrams of the connections

MQ background suppression



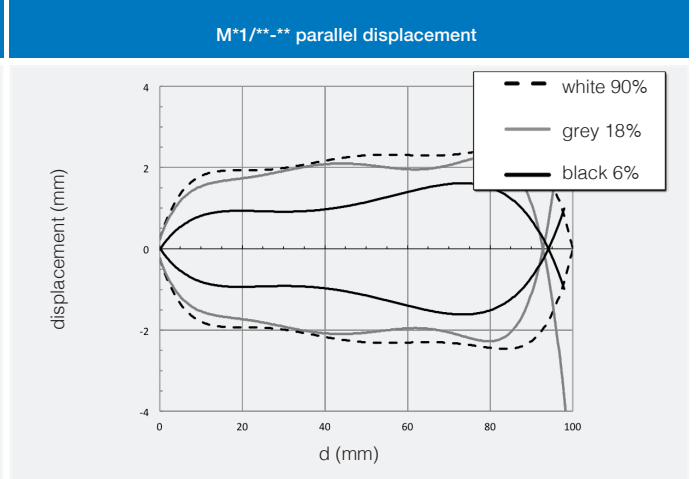
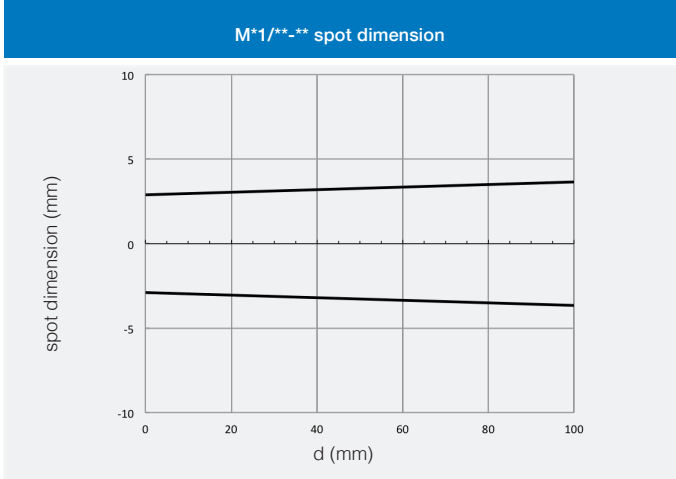
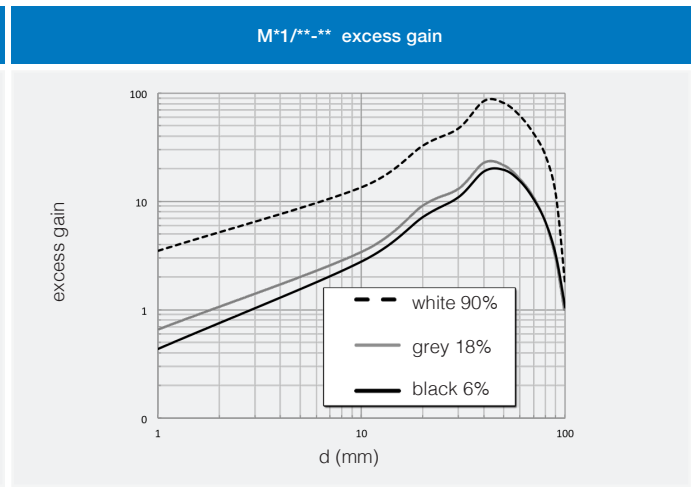
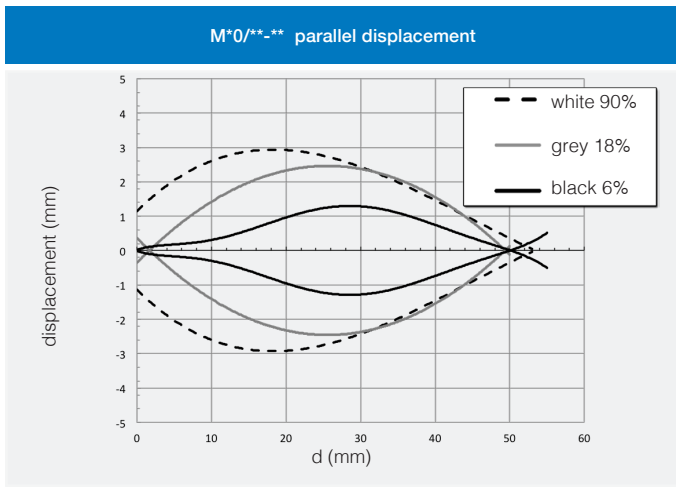
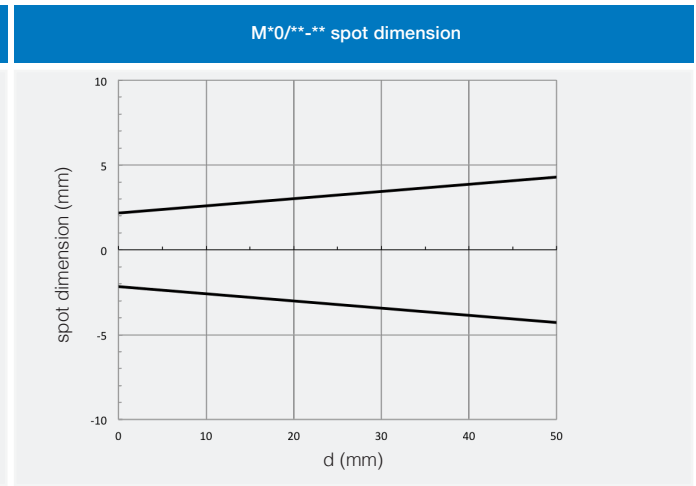
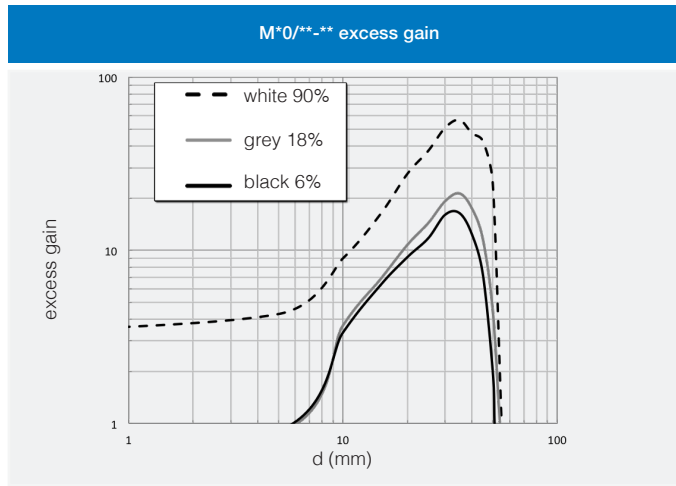
- BN** brown
- BU** blue
- BK** black
- WH** white
- PK** pink
- GY** gray

response diagrams

background suppression models

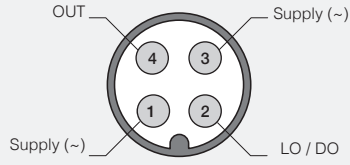


M18 AC with
90° optic





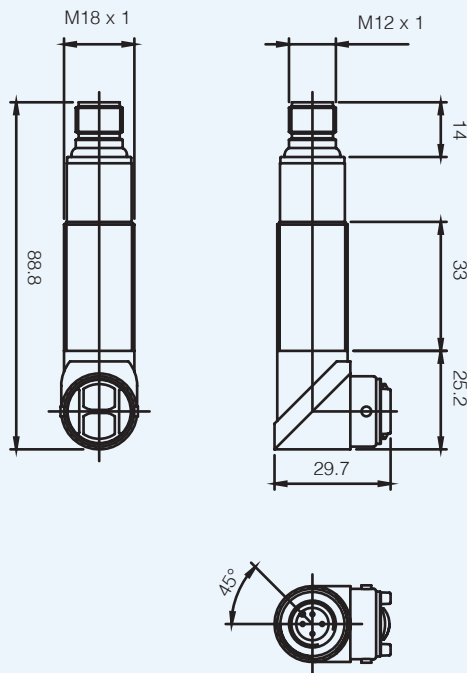
MQ background suppression



LO = Light ON
DO = Dark ON

dimensions (mm)

MQ0/00-0E; MQ1/00-0E



dimensions (mm)

accessories included in all plastic models

